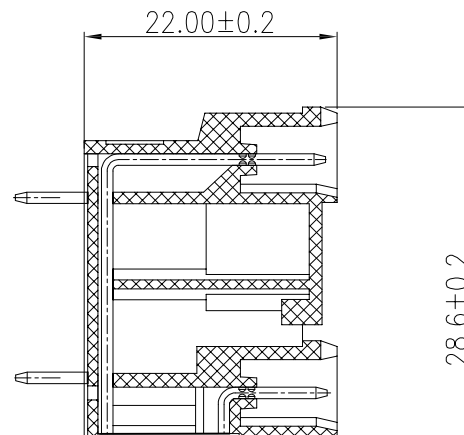
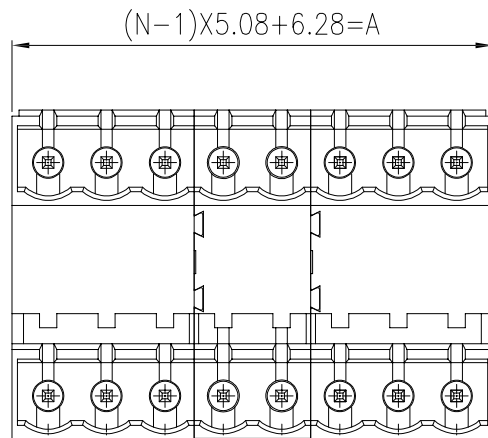


版次 (Version)	变更内容 (Rev. Content)	变更者 (Change Person)

技术参数 (Technical Data)				
UL	应用组别(Use group)	B	C	D
	额定电器参数 (Rated Electrical Parameters)	300V/15A	300V/15A	300V/15A
IEC	过压类别(Overvoltage Category) /污染等级(Pollution Degree)	III/3	III/2	III/2
	额定电器参数 (Rated Electrical Parameters)	300V/15A	300V/15A	300V/15A
压线范围(Wire Range)		/		
工频耐压(Frequency Voltage)		AC 2500V		
冲击耐压(Rated Surge Voltage)		4000V		
绝缘阻抗(Insulation Resistance)		DC500V 500MΩ above		
接触电阻(Contact Resistance)		≤8mΩ		
剥线长度(String Length)		/		
工作温度(Temperature)		-40° C--+105° C		
额定扭矩(Rated torque)		/		
材质和电镀(Material and plating)				
绝缘材质(Housing)		PA66		
导体材料(Contact)		铜合金, 镀锡(Copper alloy, Sn plated)		
/		/		



产品命名编码:  
(Product Number Code):

FPH2.5-XX-508-00-YY


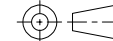
系列(Series) ———— 型号(Model)  
极数(NO. of poles) ———— 塑体颜色(Housing Color)

端子间距(Pitch) ————

- |              |                         |
|--------------|-------------------------|
| 1:绿色(Green)  | 7:透明色<br>(Transparent)  |
| 2:蓝色(Blue)   | 8:白色(White)             |
| 3:黑色(Black)  | 9:黄色(Yellow)            |
| 4:灰色(Grey)   | Y:多种颜色<br>(Mixed color) |
| 5:橙色(Orange) |                         |
| 6:红色(Red)    |                         |

P=5.08mm,N为孔位数(N for hole digits),有效位数为(Significant Digits):02p-19p

N	2*2P	2*3P	2*4P	2*5P	2*6P	2*7P	2*8P	2*9P	2*10P
L	11.36	16.44	21.52	26.60	31.68	36.76	41.84	46.92	52.00
B	5.08	10.16	15.24	20.32	25.40	30.48	35.56	40.64	45.72
N	2*11P	2*12P	2*13P	2*14P	2*15P	2*16P	2*17P	2*18P	2*19P
L	57.08	62.16	67.24	72.32	77.40	82.48	87.56	92.64	97.72
B	50.80	55.88	60.96	66.04	71.12	76.20	81.28	86.36	91.44

 <b>东莞市奥斯电子有限公司</b> DONGGUAN AOSI ELECTRONICS CO., LTD.	公差范围(Tolerance Range)	
	150~	±1.50
型号(Type): FPH2.5-XX-508-00-YY	60~150	±1.00
	30~60	±0.60
核准(Approval):	6~30	±0.40
	0~6	±0.25
核审(Audit):	角度(Angle)	X ±2°
	单位(Units):mm	XX ±1°
设计(Design)	图号(Drawing NO.):	页码(Page):1/1
	比例(Scale):FULL	 版次(Version):T0