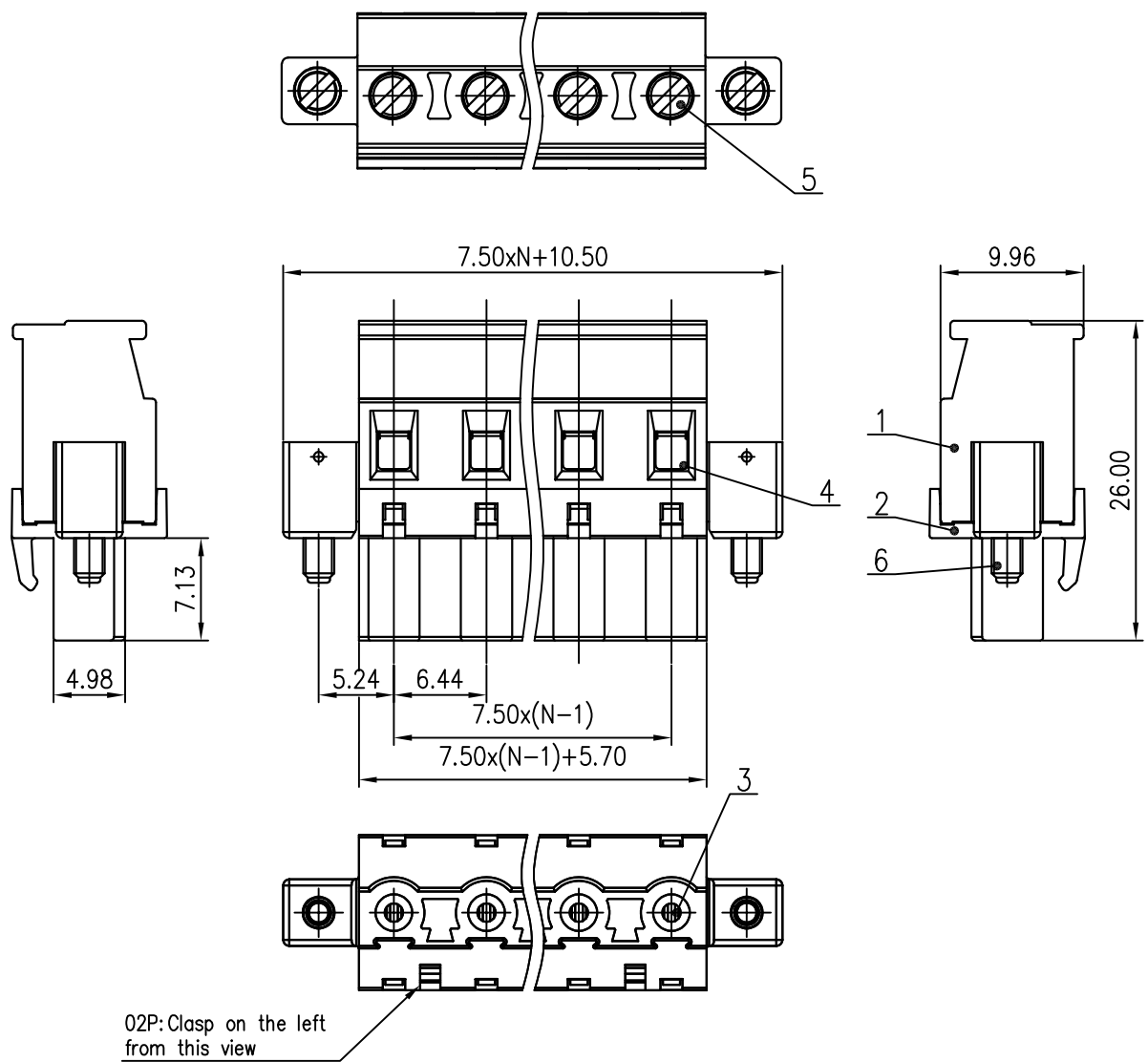


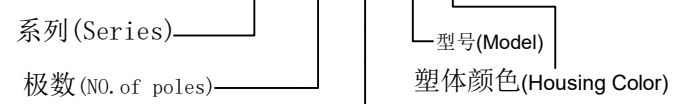
版次 (Version)	变更内容 (Rev. Content)	变更者 (Change Person)



技术参数 (Technical Data)				
UL	应用组别(Use group)	B	C	D
	额定电器参数 (Rated Electrical Parameters)	300V/16A	/	300V/10A
IEC	过压类别(Overvoltage Category) /污染等级 (Pollution Degree)	III/3	III/2	II/2
	额定电器参数 (Rated Electrical Parameters)	630V/16A	400V/18A	/
压线范围(Wire Range)		28~12AWG 1.0~2.5mm ²		
工频耐压(Frequency Voltage)		AC 2500V		
冲击耐压(Rated Surge Voltage)		4000V		
绝缘阻抗(Insulation Resistance)		DC500V 500MΩ above		
接触电阻(Contact Resistance)		≤20mΩ		
剥线长度(String Length)		7 (mm)		
工作温度(Temperature)		-40° C~+105° C		
额定扭矩(Rated torque)		TQ Lb In. 4.43		
材质和电镀(Material and plating)				
绝缘材质(Housing)		PA66(UL94 V-0)		
导体材料(Contact)		铜合金, 镀锡(Copper alloy, Sn plated)		
/		/		

产品命名编码:
(Product Number Code):

FPC2.5-XX-750-05M-YY



- | | |
|--------------|-------------------------|
| 1:绿色(Green) | 7:透明色
(Transparent) |
| 2:蓝色(Blue) | 8:白色(White) |
| 3:黑色(Black) | 9:黄色(Yellow) |
| 4:灰色(Grey) | Y:多种颜色
(Mixed color) |
| 5:橙色(Orange) | |
| 6:红色(Red) | |

P=7.50mm,N为孔位数(N for hole digits),有效位数为(Significant Digits):02p-24p

N	02P	03P	04P	05P	06P	07P	08P	09P	10P	11P	12P	13P
L	25.50	33.00	40.50	48.00	55.50	63.00	70.50	78.00	85.50	93.00	100.50	108.00
B	7.50	15.00	22.50	30.00	37.50	45.00	52.50	60.00	67.50	75.00	82.50	90.00
N	14P	15P	16P	17P	18P	19P	20P	21P	22P	23P	24P	
L	115.50	123.00	130.50	138.00	145.50	153.00	160.50	168.00	175.50	183.00	190.50	
B	97.50	105.00	112.50	120.00	127.50	135.00	142.50	150.00	157.50	165.00	172.50	

东莞市奥斯电子有限公司 DONGGUAN AOSI ELECTRONICS CO., LTD.	公差范围(Tolerance Range)	
	150~	±1.50
型号(Type): FPC2.5-XX-750-05M-YY	60~150	±1.00
	30~60	±0.60
核准(Approval):	6~30	±0.40
	0~6	±0.25
核审(Audit):	角度(Angle)	X ±2°
	单位(Units):mm	X.X ±1°
设计(Design)	页码(Page):1/1	比例(Scale):FULL
		版次(Version):T0