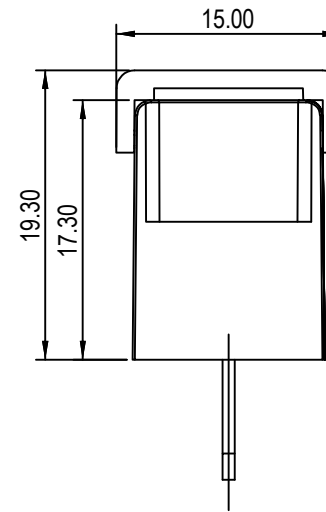
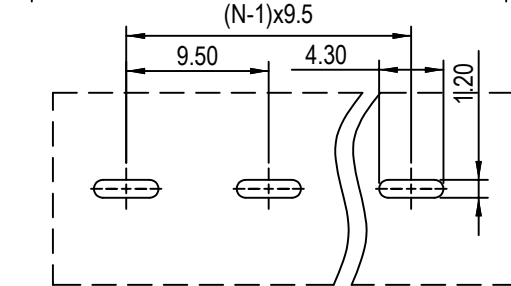
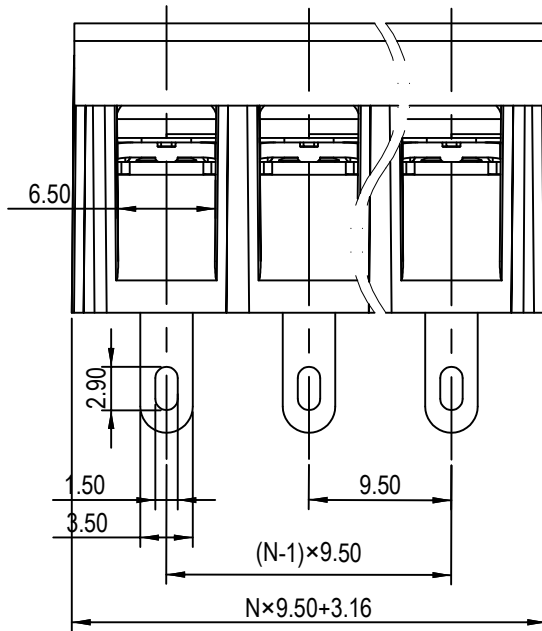
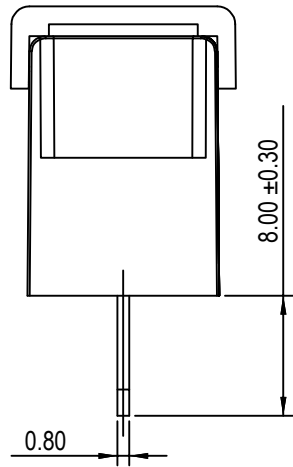
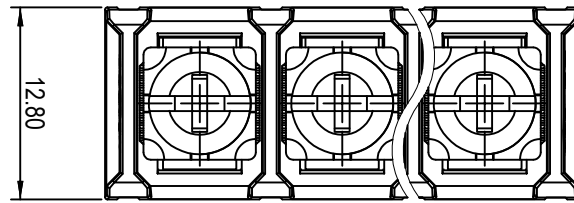


| 版次 (Version) | 变更内容 (Rev. Content) | 变更者 (Change Person) |
|-----------------|------------------------|------------------------|
| | | |
| | | |



| 技术参数 (Technical Data) | | | | |
|-----------------------------|---|----------------------------------|----------|----------|
| UL | 应用组别(Use group) | B | C | D |
| | 额定电器参数 (Rated Electrical Parameters) | 300V/20A | 300V/20A | 300V/10A |
| | 过压类别(Overvoltage Category) /污染等级(Pollution Degree) | III/3 | III/2 | II/2 |
| IEC | 额定电器参数 (Rated Electrical Parameters) | / | / | / |
| 压线范围(Wire Range) | | 22~12AWG | | |
| 工频耐压(Frequency Voltage) | | / | | |
| 冲击耐压(Rated Surge Voltage) | | / | | |
| 绝缘阻抗(Insulation Resistance) | | / | | |
| 接触电阻(Contact Resistance) | | / | | |
| 剥线长度(String Length) | | / | | |
| 工作温度(Temperature) | | -40° C ~ +105° C | | |
| 额定扭矩(Rated torque) | | M4/1.2 | | |
| 材质和电镀(Material and plating) | | | | |
| 绝缘材质(Housing) | | PA66 | | |
| 导体材料(Contact) | | 铜合金, 镀锡(Copper alloy, Sn plated) | | |
| / | | / | | |

产品命名编码:
(Product Number Code):

BT4-XX-950-48H-YY

系列(Series)

极数(NO. of poles)

端子间距(Pitch)


型号(Model)

塑体颜色(Housing Color)

- | | |
|--------------|-------------------------|
| 1:绿色(Green) | 7:透明色 (Transparent) |
| 2:蓝色(Blue) | 8:白色(White) |
| 3:黑色(Black) | 9:黄色(Yellow) |
| 4:灰色(Grey) | Y:多种颜色 (Mixed color) |
| 5:橙色(Orange) | |
| 6:红色(Red) | |

P=9.50mm,N为孔位数(N for hole digits),有效位数为(Significant Digits):02p-24p

| N | 02P | 03P | 04P | 05P | 06P | 07P | 08P | 09P | 10P | 11P | 12P | 13P |
|---|--------|--------|--------|--------|--------|--------|--------|--------|--------|--------|--------|--------|
| L | 22.16 | 31.66 | 41.16 | 50.66 | 60.16 | 69.66 | 79.16 | 88.66 | 98.16 | 107.66 | 117.16 | 126.66 |
| B | 9.50 | 19.00 | 28.50 | 38.00 | 47.50 | 57.00 | 66.50 | 76.00 | 85.50 | 95.00 | 104.50 | 114.00 |
| N | 14P | 15P | 16P | 17P | 18P | 19P | 20P | 21P | 22P | 23P | 24P | |
| L | 136.16 | 145.66 | 155.16 | 164.66 | 174.16 | 183.66 | 193.16 | 202.66 | 212.16 | 221.66 | 231.16 | |
| B | 123.50 | 133.00 | 142.50 | 152.00 | 161.50 | 171.00 | 180.50 | 190.00 | 199.50 | 209.00 | 218.50 | |

| | | |
|---|-----------------------|----------------|
|  东莞市奥斯电子有限公司 DONGGUAN AOSI ELECTRONICS CO., LTD | 公差范围(Tolerance Range) | |
| | 150~ | ±1.50 |
| 型号(Type): BT4-XX-950-48H-YY | 60~150 | ±1.00 |
| | 30~60 | ±0.60 |
| 核准(Approval): | 6~30 | ±0.40 |
| | 0~6 | ±0.25 |
| 核审(Audit): | 角度(Angle) | X ±2° |
| | 单位(Units):mm | X.X ±1° |
| 设计(Design) | 页码(Page):1/1 | |
| | 比例(Scale):FULL | 版次(Version):T0 |