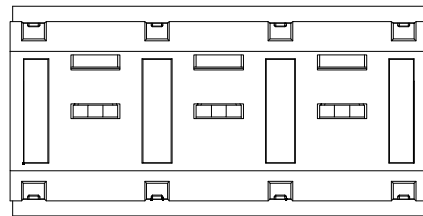
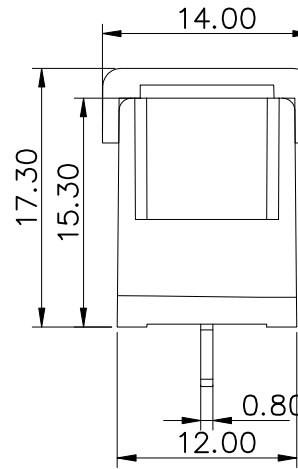
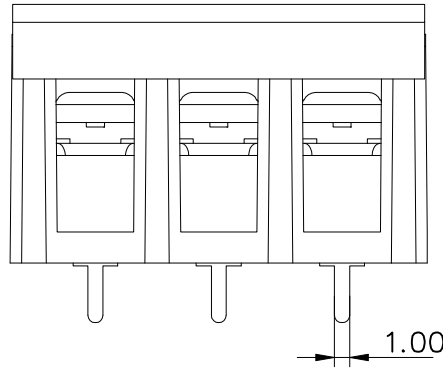
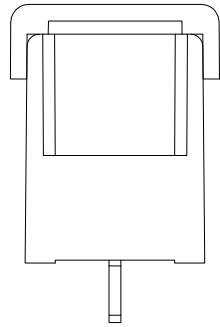
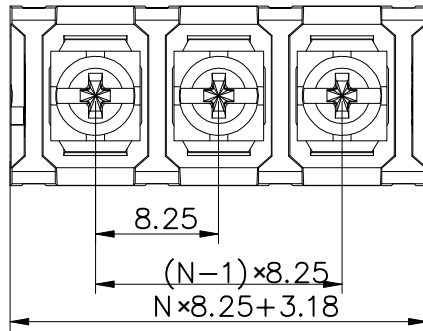


版次 (Version)	变更内容 (Rev. Content)	变更者 (Change Person)



技术参数 (Technical Data)				
UL	应用组别(Use group)	B	C	D
	额定电器参数 (Rated Electrical Parameters)	300V/15A	150V/15A	300V/10A
IEC	过压类别(Overvoltage Category) / 污染等级(Pollution Degree)	III/3	III/2	II/2
	额定电器参数 (Rated Electrical Parameters)	300V/24A	300V/24A	300V/24A
压线范围(Wire Range)		22~14AWG		
工频耐压(Frequency Voltage)		/		
冲击耐压(Rated Surge Voltage)		/		
绝缘阻抗(Insulation Resistance)		/		
接触电阻(Contact Resistance)		/		
剥线长度(String Length)		/		
工作温度(Temperature)		-40° C~+105° C		
额定扭矩(Rated torque)		M3/0.5		
材质和电镀(Material and plating)				
绝缘材质(Housing)		PA66		
导体材料(Contact)		铜合金, 镀锡(Copper alloy, Sn plated)		
/		/		

产品命名编码:
(Product Number Code):

BT2.5-XX-825-38C - YY

系列(Series)

型号(Model)

极数(NO. of poles)


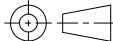
塑体颜色(Housing Color)

端子间距(Pitch)

- | | |
|--------------|-------------------------|
| 1:绿色(Green) | 7:透明色
(Transparent) |
| 2:蓝色(Blue) | 8:白色(White) |
| 3:黑色(Black) | 9:黄色(Yellow) |
| 4:灰色(Grey) | Y:多种颜色
(Mixed color) |
| 5:橙色(Orange) | |
| 6:红色(Red) | |

P=8.25mm,N为孔位数(N for hole digits),有效位数为(Significant Digits):02p-24p

N	02P	03P	04P	05P	06P	07P	08P	09P	10P	11P	12P	13P
L	19.68	27.93	36.18	44.43	52.68	60.93	69.18	77.43	85.68	93.93	102.18	110.43
B	8.25	16.50	24.75	33.00	41.25	49.50	57.75	66.00	74.25	82.50	90.75	99.00
N	14P	15P	16P	17P	18P	19P	20P	21P	22P	23P	24P	
L	118.68	126.93	135.18	143.43	151.68	159.93	168.18	176.43	186.68	192.93	201.18	
B	107.25	115.50	123.75	132.00	140.25	148.50	156.75	165.00	175.25	181.50	189.75	

 东莞市奥斯电子有限公司 DONGGUAN AOSI ELECTRONICS CO., LTD	公差范围(Tolerance Range)	
	150~	±1.50
型号(Type):BT2.5-XX-825-38C - YY	60~150	±1.00
	30~60	±0.60
核准(Approval):	图号(Drawing NO.):	0~6 ±0.25
	角度(Angle):	X ±2°
核审(Audit):	单位(Units):mm	X.X ±1°
	页码(Page):1/1	
设计(Design)	比例(Scale):FULL	 版次(Version):T0