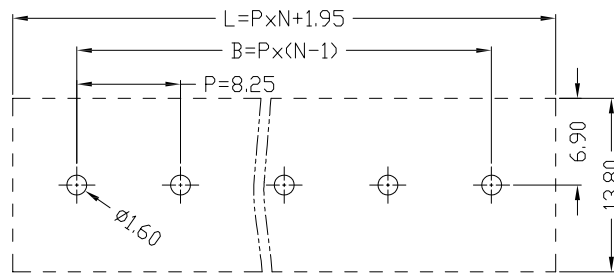
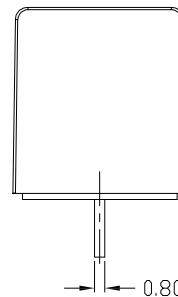
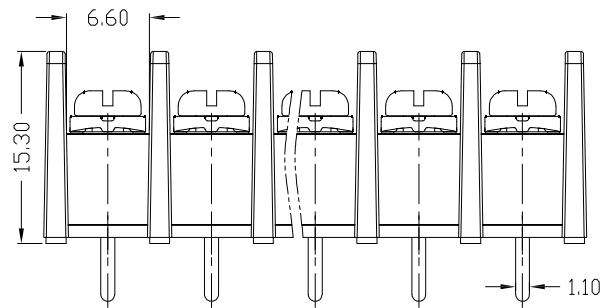
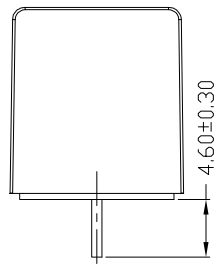
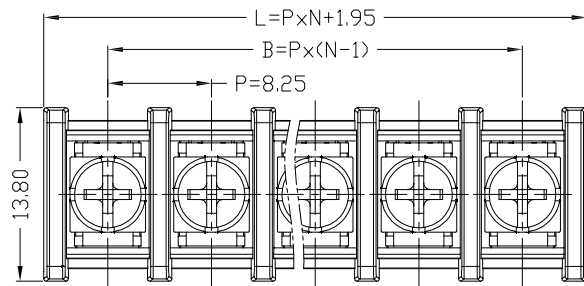


版次 (Version)	变更内容 (Rev. Content)	变更者 (Change Person)



### 技术参数 (Technical Data)

应用组别(Use group)	B	C	D
UL 额定电器参数 (Rated Electrical Parameters)	300V/20A	300V/20A	300V/20A
过压类别(Overvoltage Category) /污染等级(Pollution Degree)	III/3	III/2	II/2
IEC 额定电器参数 (Rated Electrical Parameters)	450V/24A	450V/24A	450V/24A
压线范围(Wire Range)	/		
工频耐压(Frequency Voltage)	AC 2500V		
冲击耐压(Rated Surge Voltage)	4000V		
绝缘阻抗(Insulation Resistance)	DC500V 500MΩ above		
接触电阻(Contact Resistance)	≤8mΩ		
剥线长度(String Length)	6~7 (mm)		
工作温度(Temperature)	-40° C~+105° C		
额定扭矩(Rated torque)	/		
材质和电镀(Material and plating)			
绝缘材质(Housing)	PA66 (UL94 V-0)		
导体材料(Contact)	铜合金, 镀锡(Copper alloy, Sn plated)		
/	/		

产品命名编码:  
(Product Number Code):

**BT2.5-XX-825-35C - YY**

系列(Series)

型号(Model)

极数(NO. of poles)


塑体颜色(Housing Color)

端子间距(Pitch)

- |              |                         |
|--------------|-------------------------|
| 1:绿色(Green)  | 7:透明色<br>(Transparent)  |
| 2:蓝色(Blue)   | 8:白色(White)             |
| 3:黑色(Black)  | 9:黄色(Yellow)            |
| 4:灰色(Grey)   | Y:多种颜色<br>(Mixed color) |
| 5:橙色(Orange) |                         |
| 6:红色(Red)    |                         |

P=8.25mm,N为孔位数(N for hole digits),有效位数为(Significant Digits):02p-24p

N	02P	03P	04P	05P	06P	07P	08P	09P	10P	11P	12P	13P
L	18.45	26.70	34.95	43.20	51.45	59.70	67.95	76.20	84.45	92.70	100.95	109.20
B	8.25	16.50	24.75	33.00	41.25	49.50	57.75	66.00	74.25	82.50	90.75	99.00
N	14P	15P	16P	17P	18P	19P	20P	21P	22P	23P	24P	
L	117.45	125.70	133.95	142.20	150.45	158.70	166.95	175.20	183.45	191.70	199.95	
B	107.25	115.50	123.75	132.00	140.25	148.50	156.75	165.00	173.25	181.50	189.75	

 <b>东莞市澳斯电子有限公司</b> <b>DONGGUAN AOSI ELECTRONICS CO., LTD.</b>	公差范围(Tolerance Range)	
	150~	±1.50
型号(Type): BT2.5-XX-825-35C - YY	60~150	±1.00
	30~60	±0.60
核准(Approval):	6~30	±0.40
	0~6	±0.25
核审(Audit):	角度(Angle)	X ±2°
	单位(Units):mm	XX ±1°
设计(Design)	比例(Scale):FULL	版次(Version):T0