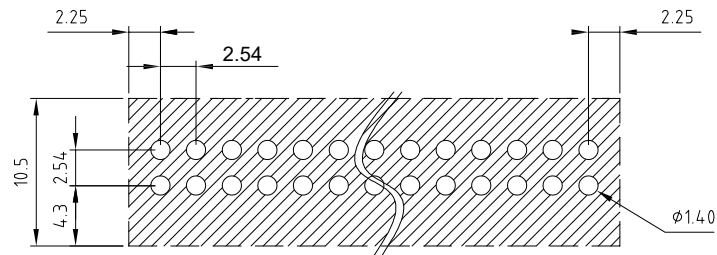
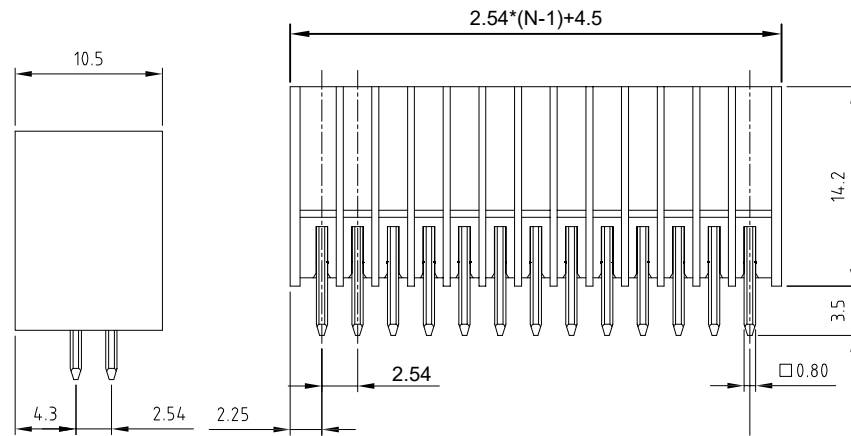
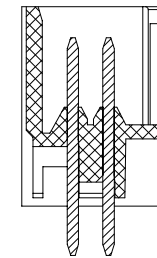


版次 (Version)	变更内容 (Rev. Content)	变更者 (Change Person)



PCB LAYOUT

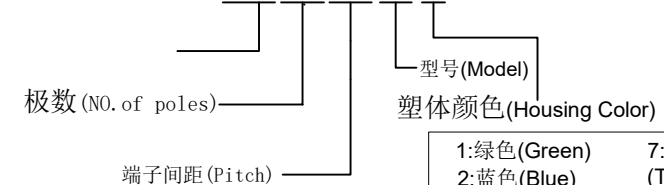


技术参数 (Technical Data)

应用组别(Use group)	B	C	D
UL 额定电器参数 (Rated Electrical Parameters)	250V/6A	150V/5A	150V/5A
IEC 过压类别 (Overvoltage Category) / 污染等级 (Pollution Degree)	III/3	III/2	III/2
额定电器参数 (Rated Electrical Parameters)	250V/6A	150V/5A	150V/5A
压线范围(Wire Range)	/		
工频耐压(Frequency Voltage)	AC 1300V		
冲击耐压(Rated Surge Voltage)	4000V		
绝缘阻抗 (Insulation Resistance)	DC500V 500MΩ above		
接触电阻(Contact Resistance)	≤20mΩ		
剥线长度(String Length)	/		
工作温度(Temperature)	-40° C--+105° C		
额定扭矩(Rated torque)	/		
材质和电镀(Material and plating)			
绝缘材质(Housing)	PA66 UL94V-0		
导体材料(Contact)	铜合金, 镀锡(Copper alloy, Sn plated)		
/	/		

产品命名编码:
(Product Number Code):

FPH0.5-XX-254-28-YY



- | | | | |
|-------------------|--------------|------------|---|
| 极数 (NO. of poles) | 端子间距 (Pitch) | 型号 (Model) | 塑体颜色 (Housing Color) |
| | | | <ul style="list-style-type: none"> 1:绿色 (Green) 2:蓝色 (Blue) 3:黑色 (Black) 4:灰色 (Grey) 5:橙色 (Orange) 6:红色 (Red) 7:透明色 (Transparent) 8:白色 (White) 9:黄色 (Yellow) Y:多种颜色 (Mixed color) |

P=2.54mm,N为孔位数(N for hole digits),有效位数为(Significant Digits):02p-24p

N	02P	03P	04P	05P	06P	07P	08P	09P	10P	11P	12P	13P
L	7.04	9.58	12.12	14.66	17.20	19.74	22.28	24.82	27.36	29.90	32.44	34.98
B	2.54	5.08	7.62	10.16	12.70	15.24	17.78	20.32	22.86	25.40	27.94	30.48
N	14P	15P	16P	17P	18P	19P	20P	21P	22P	23P	24P	
L	37.52	40.06	42.60	45.14	47.68	50.22	52.76	55.30	57.84	60.38	62.92	
B	33.02	35.56	38.10	40.64	43.18	45.72	48.26	50.80	53.34	55.88	58.42	

东莞市奥斯电子有限公司 DONGGUAN AOSI ELECTRONICS CO., LTD.	公差范围(Tolerance Range)	
	150~	±1.50
型号(Type): FPH0.5-XX-254-28-YY	60~150	±1.00
	30~60	±0.60
核准(Approval):	6~30	±0.40
	0~6	±0.25
核审(Audit):	角度 (Angle)	X ±2°
	单位(Units):mm	页码(Page):1/1
设计(Design)	比例(Scale):FULL	版次(Version):T0