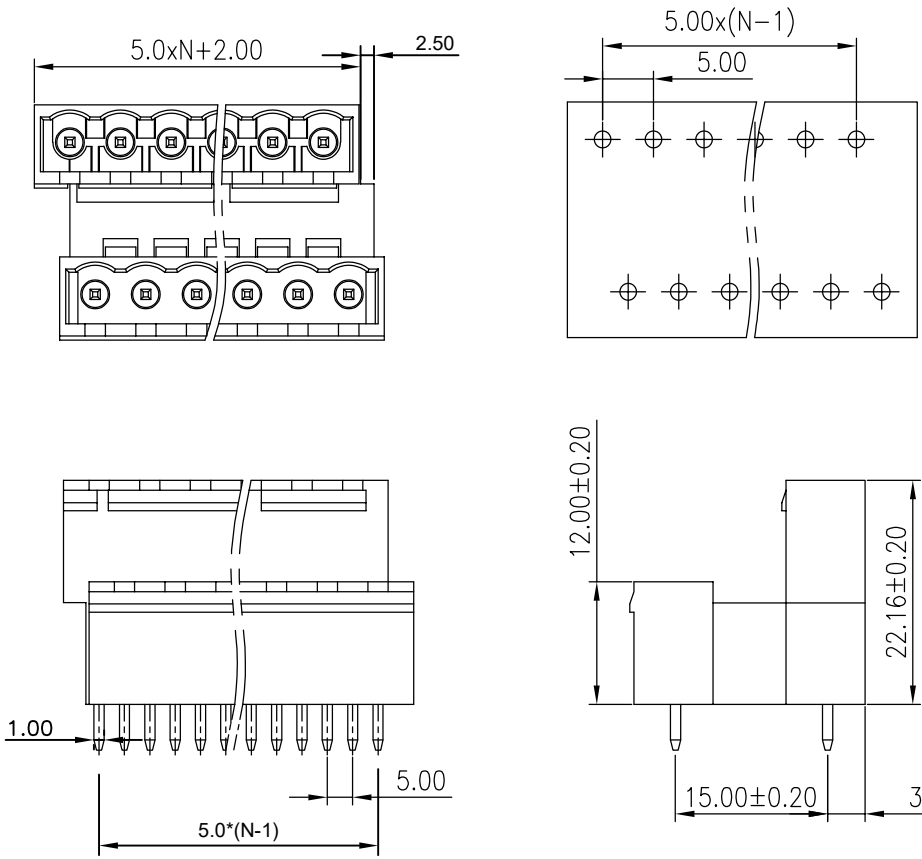


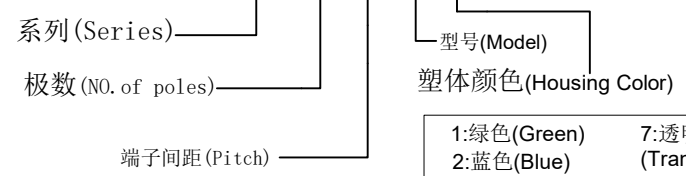
| 版次<br>(Version) | 变更内容<br>(Rev. Content) | 变更者<br>(Change Person) |
|-----------------|------------------------|------------------------|
|                 |                        |                        |
|                 |                        |                        |



| 技术参数 (Technical Data)       |   |                                  |          |      |
|-----------------------------|---|----------------------------------|----------|------|
| UL                          | 应用组别(Use group)   | B                                | C        | D    |
|                             | 额定电器参数<br>(Rated Electrical Parameters)                 | /                                | /        | /    |
|                             | 过压类别 (Overvoltage Category)<br>/污染等级 (Pollution Degree) | III/3                            | III/2    | II/2 |
| IEC                         | 额定电器参数<br>(Rated Electrical Parameters)                 | /                                | 600V/15A | /    |
| 压线范围(Wire Range)            |   | 22~14AWG 0.2~2.5mm <sup>2</sup>  |          |      |
| 工频耐压(Frequency Voltage)     |   | AC 2500V                         |          |      |
| 冲击耐压(Rated Surge Voltage)   |   | /                                |          |      |
| 绝缘阻抗(Insulation Resistance) |   | /                                |          |      |
| 接触电阻(Contact Resistance)    |   | /                                |          |      |
| 剥线长度(String Length)         |   | /                                |          |      |
| 工作温度(Temperature)           |   | -40° C~+105° C                   |          |      |
| 额定扭矩(Rated torque)          |   | /                                |          |      |
| 材质和电镀(Material and plating) |   |                                  |          |      |
| 绝缘材质(Housing)               |   | PC UL94V-0                       |          |      |
| 导体材料(Contact)               |   | 铜合金, 镀锡(Copper alloy, Sn plated) |          |      |
| /                           |   | /                                |          |      |

产品命名编码:  
(Product Number Code):

**FPH2.5-XX-500-17-YY**



- |              |                         |
|--------------|-------------------------|
| 1:绿色(Green)  | 7:透明色<br>(Transparent)  |
| 2:蓝色(Blue)   | 8:白色(White)             |
| 3:黑色(Black)  | 9:黄色(Yellow)            |
| 4:灰色(Grey)   | Y:多种颜色<br>(Mixed color) |
| 5:橙色(Orange) |                         |
| 6:红色(Red)    |                         |

P=5.00mm,N为孔位数(N for hole digits),有效位数为(Significant Digits):02p-24p

| N | 02P   | 03P   | 04P   | 05P   | 06P   | 07P   | 08P    | 09P    | 10P    | 11P    | 12P    | 13P   |
|---|-------|-------|-------|-------|-------|-------|--------|--------|--------|--------|--------|-------|
| L | 14.50 | 19.50 | 24.50 | 29.50 | 34.50 | 39.50 | 44.50  | 49.50  | 54.50  | 59.50  | 64.50  | 69.50 |
| B | 5.00  | 10.00 | 15.00 | 20.00 | 25.00 | 30.00 | 35.00  | 40.00  | 45.00  | 50.00  | 55.00  | 60.00 |
| N | 14P   | 15P   | 16P   | 17P   | 18P   | 19P   | 20P    | 21P    | 22P    | 23P    | 24P    |       |
| L | 74.50 | 79.50 | 84.50 | 89.50 | 94.50 | 99.50 | 104.50 | 109.50 | 114.50 | 119.50 | 124.50 |       |
| B | 65.00 | 70.00 | 75.00 | 80.00 | 85.00 | 90.00 | 95.00  | 100.00 | 105.00 | 110.00 | 115.00 |       |

|  |                       |                |
|--|-----------------------|----------------|
| <b>东莞市澳斯电子有限公司</b><br><b>DONGGUAN AOSI ELECTRONICS CO., LTD,</b> | 公差范围(Tolerance Range) |                |
|  | 150~                  | ±1.50          |
| 型号(Type):FPH2.5-XX-500-17-YY                                     | 60~150                | ±1.00          |
|  | 30~60                 | ±0.60          |
| 核准(Approval): 图号(Drawing NO.):                                   | 6~30                  | ±0.40          |
|  | 0~6                   | ±0.25          |
| 核审(Audit): 单位(Units):mm 页码(Page):1/1                             | 角度 X                  | ±2°            |
|  | (Angle) X.X           | ±1°            |
| 设计(Design) 比例(Scale):FULL  |                       | 版次(Version):T0 |