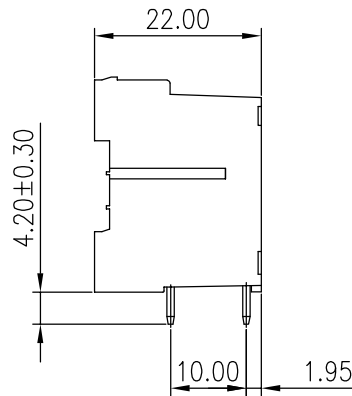
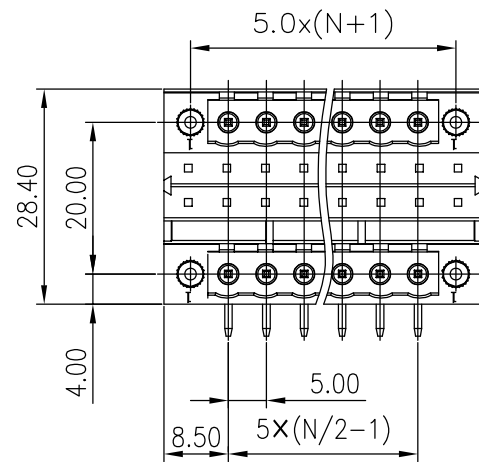
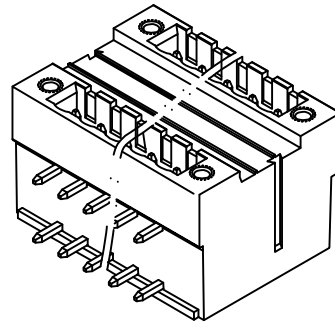
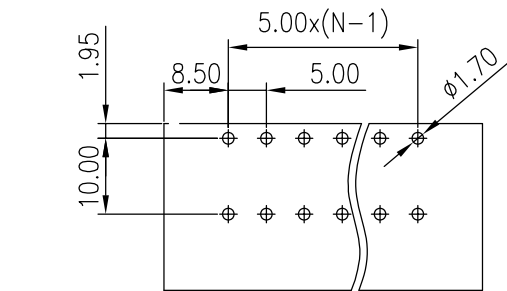


版次 (Version)	变更内容 (Rev. Content)	变更者 (Change Person)



技术参数 (Technical Data)				
UL	应用组别(Use group)	B	C	D
	额定电器参数 (Rated Electrical Parameters)	300V/15A	/	300V/10A
	过压类别 (Overvoltage Category) /污染等级 (Pollution Degree)	III/3	III/2	II/2
IEC	额定电器参数 (Rated Electrical Parameters)	/	320V/10A	/
压线范围(Wire Range)		/		
工频耐压 (Frequency Voltage)		/		
冲击耐压 (Rated Surge Voltage)		/		
绝缘阻抗 (Insulation Resistance)		/		
接触电阻 (Contact Resistance)		/		
剥线长度 (String Length)		/		
工作温度 (Temperature)		-40° C ~ +105° C		
额定扭矩 (Rated torque)		/		
材质和电镀 (Material and plating)				
绝缘材质 (Housing)		PA66		
导体材料 (Contact)		铜合金, 镀锡 (Copper alloy, Sn plated)		
/		/		

产品命名编码:  
(Product Number Code):

FPH2.5-XX-500-04R-YY

系列 (Series)

极数 (NO. of poles)

端子间距 (Pitch)


型号 (Model)

塑体颜色 (Housing Color)

- |                |                       |
|----------------|-----------------------|
| 1: 绿色 (Green)  | 7: 透明色 (Transparent)  |
| 2: 蓝色 (Blue)   | 8: 白色 (White)         |
| 3: 黑色 (Black)  | 9: 黄色 (Yellow)        |
| 4: 灰色 (Grey)   | Y: 多种颜色 (Mixed color) |
| 5: 橙色 (Orange) |                       |
| 6: 红色 (Red)    |                       |

P=5.00mm, N为孔位数 (N for hole digits), 有效位数为 (Significant Digits): 02p-24p

N	02P	03P	04P	05P	06P	07P	08P	09P	10P	11P	12P	13P
L	22.00	27.00	32.00	37.00	42.00	47.00	52.00	57.00	62.00	67.00	72.00	77.00
B	5.00	10.00	15.00	20.00	25.00	30.00	35.00	40.00	45.00	50.00	55.00	60.00
N	14P	15P	16P	17P	18P	19P	20P	21P	22P	23P	24P	
L	82.00	87.00	92.00	97.00	102.00	107.00	112.00	117.00	122.00	127.00	132.00	
B	65.00	70.00	75.00	80.00	85.00	90.00	95.00	100.00	105.00	110.00	115.00	

 <b>东莞市澳斯电子有限公司</b> <b>DONGGUAN AOSI ELECTRONICS CO., LTD.</b>	公差范围 (Tolerance Range)	
	150~	±1.50
型号 (Type): FPH2.5-XX-500-04R-YY	60~150	±1.00
	30~60	±0.60
核准 (Approval):	6~30	±0.40
	0~6	±0.25
核审 (Audit):	角度 (Angle) X	±2°
	单位 (Units): mm	X.X ±1°
设计 (Design)	图号 (Drawing NO.):	
	页码 (Page): 1/1	
	比例 (Scale): FULL	版次 (Version): T0