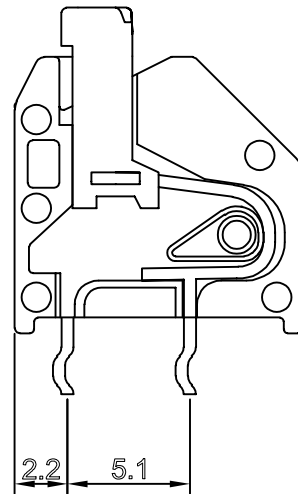
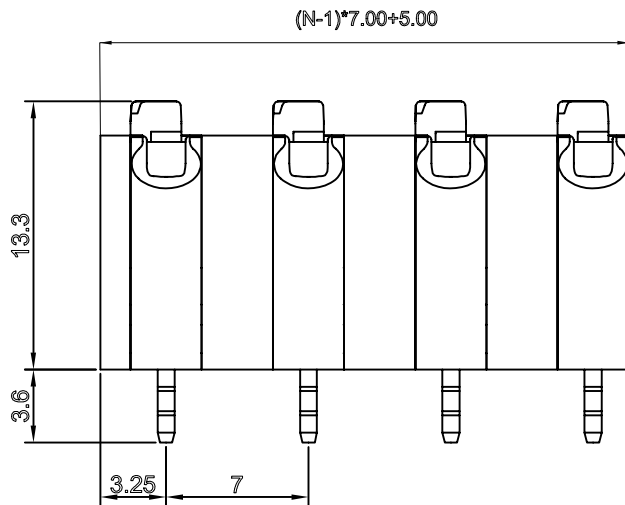


PCB LAYOUT



版次 (Version)	变更内容 (Rev. Content)	变更者 (Change Person)

技术参数 (Technical Data)				
UL	应用组别(Use group)	B	C	D
	额定电器参数 (Rated Electrical Parameters)	300V/8A	/	/
IEC	过压类别(Overvoltage Category) /污染等级(Pollution Degree)	III/3	III/2	III/2
	额定电器参数 (Rated Electrical Parameters)	630V/15A	630V/15A	1000V/15A
压线范围(Wire Range)		22-14AWG		
工频耐压(Frequency Voltage)		AC 1600V		
冲击耐压(Rated Surge Voltage)		4000V		
绝缘阻抗(Insulation Resistance)		DC500V 500MΩ above		
接触电阻(Contact Resistance)		≤20mΩ		
剥线长度(String Length)		9mm		
工作温度(Temperature)		- 40° C ~ +105° C		
额定扭矩(Rated torque)		/		
材质和电镀(Material and plating)				
绝缘材质(Housing)		PA66	UL94V-0	
导体材料(Contact)		铜合金, 镀锡(Copper alloy, Sn plated)		
/		/		

产品命名编码:
(Product Number Code):

FS1.5-XX-700-04-YY

系列(Series)

极数(NO. of poles)

端子间距(Pitch)

型号(Model)

塑体颜色(Housing Color)

- | | |
|--------------|-------------------------|
| 1:绿色(Green) | 7:透明色
(Transparent) |
| 2:蓝色(Blue) | 8:白色(White) |
| 3:黑色(Black) | 9:黄色(Yellow) |
| 4:灰色(Grey) | Y:多种颜色
(Mixed color) |
| 5:橙色(Orange) | |
| 6:红色(Red) | |

P=7.00mm,N为孔位数(N for hole digits),有效位数为(Significant Digits):02p-24p

N	02P	03P	04P	05P	06P	07P	08P	09P	10P	11P	12P	13P
L	12.00	19.00	26.00	33.00	40.00	47.00	54.00	61.00	68.00	75.00	82.00	89.00
B	7.00	14.00	21.00	28.00	35.00	42.00	49.00	56.00	63.00	70.00	77.00	84.00
N	14P	15P	16P	17P	18P	19P	20P	21P	22P	23P	24P	
L	96.00	103.00	110.00	117.00	124.00	131.00	138.00	145.00	152.00	159.00	166.00	
B	91.00	98.00	105.00	112.00	119.00	126.00	133.00	140.00	147.00	154.00	161.00	

 东莞市澳斯电子有限公司 DONGGUAN AOSI ELECTRONICS CO., LTD.	公差范围(Tolerance Range)	
	150~	±1.5'
型号(Type): FS1.5-XX-700-04-YY	60~150	±1.0'
	30~60	±0.6'
核准(Approval):	6~30	±0.4'
	0~6	±0.2'
核审(Audit):	角度 X	±2'
	单位(Units):mm	页码(Page):1/1
设计(Design):	比例(Scale):FULL	版次(Version):1
		