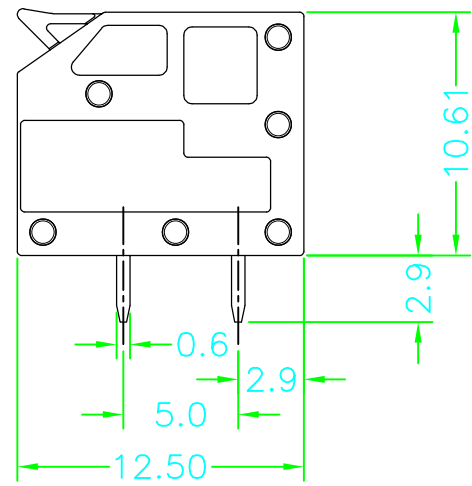
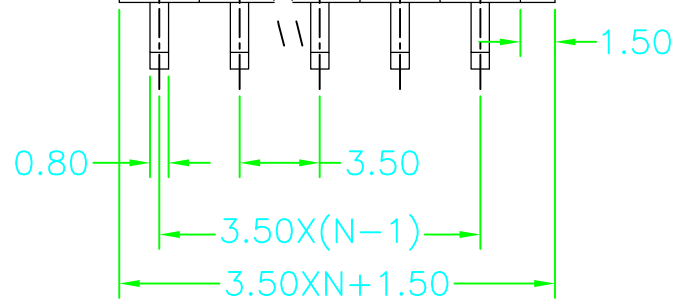
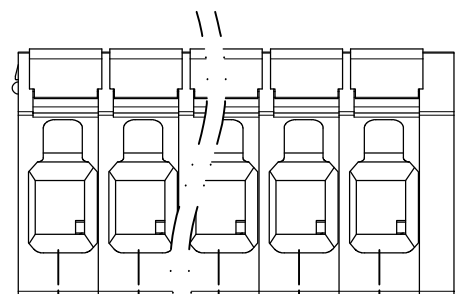
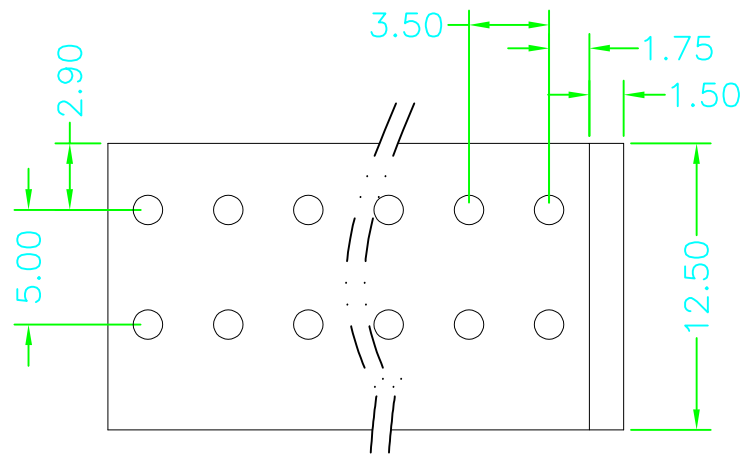
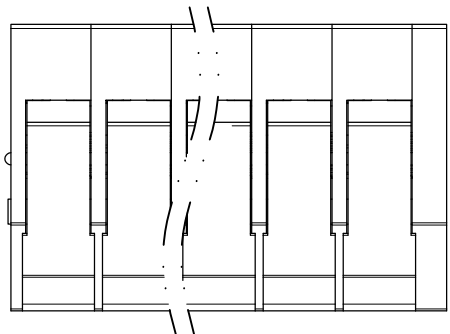


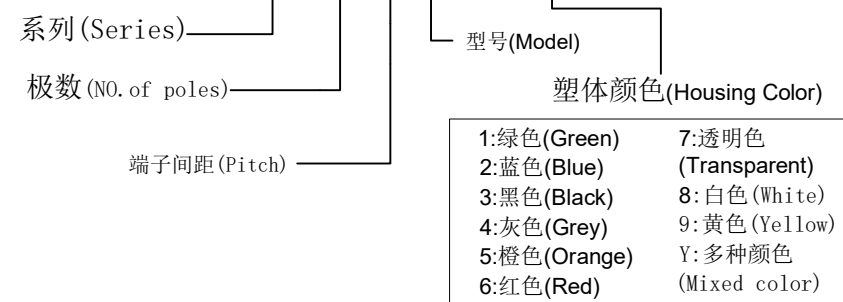
版次 (Version)	变更内容 (Rev. Content)	变更者 (Change Person)



技术参数 (Technical Data)				
UL	应用组别(Use group)	B	C	D
	额定电器参数 (Rated Electrical Parameters)	250V/16A	250V/17.5A	250V/17.5A
IEC	过压类别 (Overvoltage Category) /污染等级 (Pollution Degree)	III/3	III/2	III/2
	额定电器参数 (Rated Electrical Parameters)	250V/17.5A	250V/17.5A	250V/17.5A
压线范围(Wire Range)		24~16AWG		
工频耐压(Frequency Voltage)		AC 2500V		
冲击耐压(Rated Surge Voltage)		4000V		
绝缘阻抗 (Insulation Resistance)		DC500V 500MΩ above		
接触电阻(Contact Resistance)		≤20mΩ		
剥线长度(String Length)		8-9 (mm)		
工作温度(Temperature)		-40° C~+105° C		
额定扭矩(Rated torque)		/		
材质和电镀(Material and plating)				
绝缘材质(Housing)		PA66	UL94V-0	
导体材料(Contact)		铜合金, 镀锡(Copper alloy, Sn plated)		
/		/		

产品命名编码:
(Product Number Code):

FS1.5-XX-350-2601R-YY



P=3.50mm,N为孔位数(N for hole digits),有效位数为(Significant Digits):02p-24p

N	02P	03P	04P	05P	06P	07P	08P	09P	10P	11P	12P	13P
L	8.50	12.00	15.50	19.00	22.50	26.00	29.50	33.00	36.50	40.00	43.50	47.00
B	3.50	7.00	10.50	14.00	17.50	21.00	24.50	28.00	31.50	35.00	38.50	42.00
N	14P	15P	16P	17P	18P	19P	20P	21P	22P	23P	24P	
L	50.50	54.00	57.50	61.00	64.50	68.00	71.50	75.00	78.50	82.00	85.50	
B	45.50	49.00	52.50	56.00	59.50	63.00	66.50	70.00	73.50	77.00	80.50	

东莞市澳斯电子有限公司 DONGGUAN AOSI ELECTRONICS CO., LTD.	公差范围(Tolerance Range)	
	150~	±1.50
型号(Type): FS1.5-XX-500-2601R-YY	60~150	±1.00
	30~60	±0.60
核准(Approval):	6~30	±0.40
	图号(Drawing NO.):	0~6 ±0.25
核审(Audit):	角度(Angle): X.X	±2°
	单位(Units):mm	X.X ±1°
设计(Design):	页码(Page):1/1	版次(Version):T0
	比例(Scale):FULL	