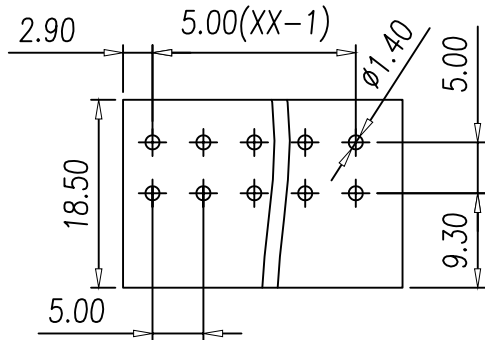
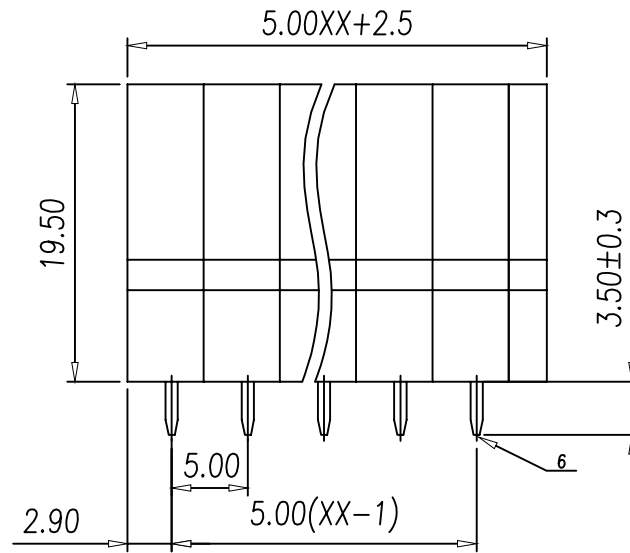
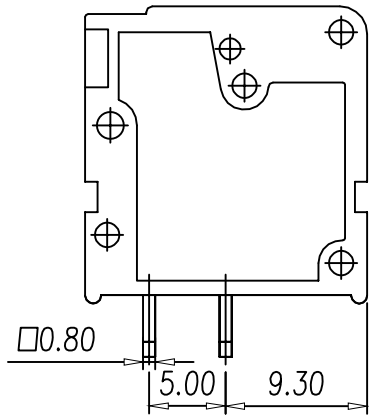
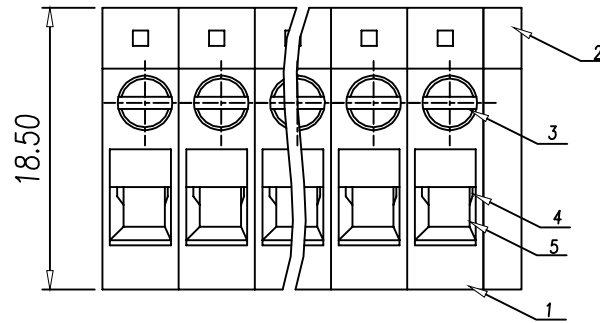


版次 (Version)	变更内容 (Rev. Content)	变更者 (Change Person)



**P.C.B. LAYOUT**



技术参数 (Technical Data)				
UL	应用组别(Use group)	B	C	D
	额定电器参数 (Rated Electrical Parameters)	300V/20A	300V/16A	300V/10A
IEC	过压类别 (Overvoltage Category) /污染等级 (Pollution Degree)	III/3	III/2	III/2
	额定电器参数 (Rated Electrical Parameters)	250V/24A	400V/24A	630V/24A
压线范围(Wire Range)		26~12AWG 2.5mm <sup>2</sup>		
工频耐压(Frequency Voltage)		AC 1600V		
冲击耐压(Rated Surge Voltage)		4000V		
绝缘阻抗(Insulation Resistance)		DC500V 500MΩ above		
接触电阻(Contact Resistance)		/		
剥线长度(String Length)		12-13 (mm)		
工作温度(Temperature)		-40° C~+105° C		
额定扭矩(Rated torque)		M2.5/0.4 N.m		
材质和电镀(Material and plating)				
绝缘材质(Housing)		PA66(UL94 V-0)		
导体材料(Contact)		铜合金, 镀锡(Copper alloy, Sn plated)		
/		/		

产品命名编码:  
(Product Number Code):

FET2.5-XX-500-105V-YY

系列(Series) ————  
极数(NO. of poles) ————  
端子间距(Pitch) ————

——— 型号(Model)  
——— 塑体颜色(Housing Color)

- |              |                         |
|--------------|-------------------------|
| 1:绿色(Green)  | 7:透明色<br>(Transparent)  |
| 2:蓝色(Blue)   | 8:白色(White)             |
| 3:黑色(Black)  | 9:黄色(Yellow)            |
| 4:灰色(Grey)   | Y:多种颜色<br>(Mixed color) |
| 5:橙色(Orange) |                         |
| 6:红色(Red)    |                         |

P=5.00mm,N为孔位数(N for hole digits),有效位数为(Significant Digits):02p-24p

N	02P	03P	04P	05P	06P	07P	08P	09P	10P	11P	12P	13P
L	12.50	17.50	22.50	27.50	32.50	37.50	42.50	47.50	52.50	57.50	62.50	67.50
B	5.00	10.00	15.00	20.00	25.00	30.00	35.00	40.00	45.00	50.00	55.00	60.00
N	14P	15P	16P	17P	18P	19P	20P	21P	22P	23P	24P	
L	72.50	77.50	82.50	87.50	92.50	97.50	102.50	107.50	112.50	117.50	122.50	
B	65.00	70.00	75.00	80.00	85.00	90.00	95.00	100.00	105.00	110.00	115.00	

 <b>东莞市澳斯电子有限公司</b> DONGGUAN AOSI ELECTRONICS CO., LTD.	公差范围(Tolerance Range)	
	150~	±1.5'
型号(Type): FET2.5-XX-500-105V-YY	60~150	±1.0'
	30~60	±0.6'
核准(Approval):	6~30	±0.4'
	0~6	±0.2'
核审(Audit):	角度 X	±2'
	单位(Units):mm	页码(Page):1/1
设计(Design):	比例(Scale):FULL	版次(Version):1
		